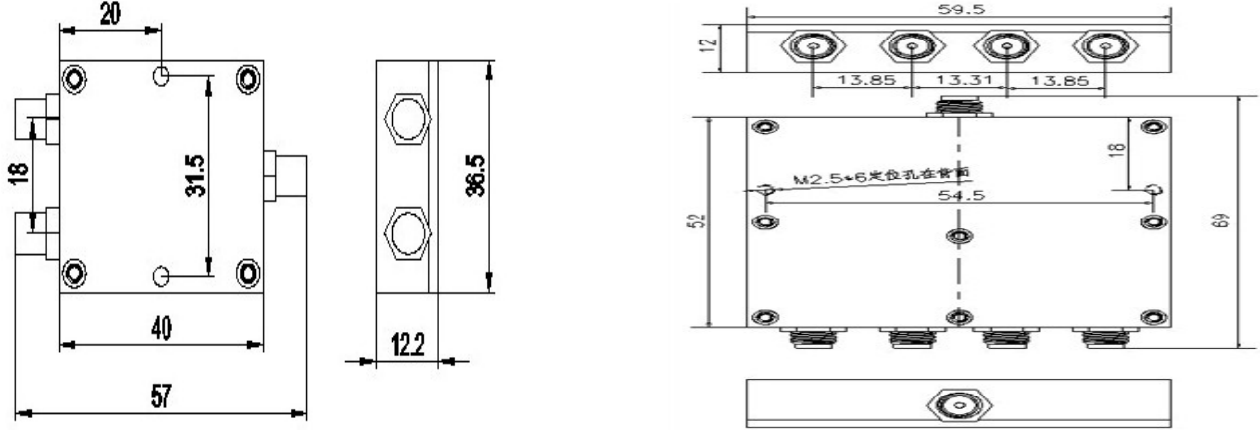




RF Power Splitter

Power dividers (also power splitters and, when used in reverse, power combiners) and directional couplers are passive devices used in the field of radio technology. They couple a defined amount of the electromagnetic power in a transmission line to another port where it can be used in another circuit. An essential feature of directional couplers is that they only couple power flowing in one direction. Power entering the output port is not coupled.



Technical Specifications:

2000-6000/8000MHz, 2/4 way RF Micro-strip Power Splitter (SMA-female)

Model	YFTX-MPS-2080-02-SF	YFTX-MPS-2060-04-SF
Technical Specifications:		
Frequency(MHz)	2000-6000/8000	
Product Name	2000-6000/8000MHz, 2/4 way RF Micro-strip Power Splitter (SMA-female)	
Insertion Loss(dB)	≅ 3.5 (2-6G)	≅ 7.0 (2-6G)
(Including Split Loss)	≅ 3.8 (6-8G)	
VSWR	≅ 1.5:1	
Isolation	20(2-6G) 18(6-8G)	20 (2-6G)
Power Capacity(W)	10	
Impedance(ohm)	50	
Mechanical Specifications:		
RF Connector	SMA-female	
Application	Indoor	
Operating Temperature(deg)	-35~+60	
Color	Black-plated or Silvery-white	
Material	Aluminum	
Relative Humidity	5%-95%	
Weight(kg)	0.10	0.15

Tel: +86-(0)551-5586325

Fax: +86-(0)551-5336592

Mobile: +86-(0)-18214741027

MSN: ahsetsail2@live.com
Email1: setsailtelecom@gmail.com

Skype: [ahsetsail](https://www.skype.com/user/ahsetsail)
Email2: brightfuture10@yahoo.cn

Contact Person: Jony Ding

Add: Floor 3, No.9, Hongfeng Road, National Hi-tech Development Zone, Hefei, Anhui, China