



長 宏 科 技 有 限 公 司  
Chang Hong Information Co., Ltd.

GSM 850/900/1800/1900/2100 MHz dipole 2dBi FOR SMA PLUG RP

ROHS

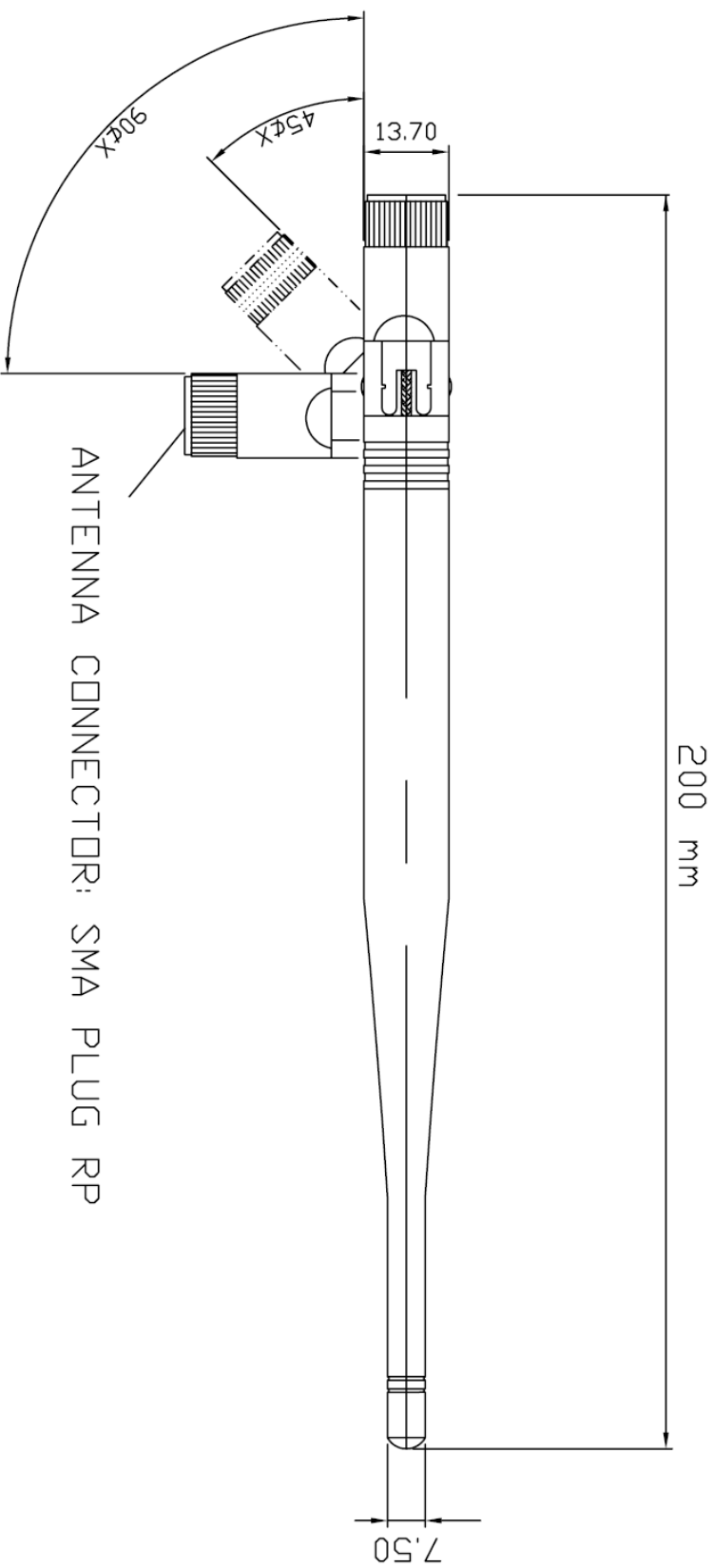


Specifications/Special Features :  
Global System for Mobile Communication  
850/900/1800/1900/2100MHz phone antenna,  
Broadband design for GSM/DCS/PCS/WCDMA systems.

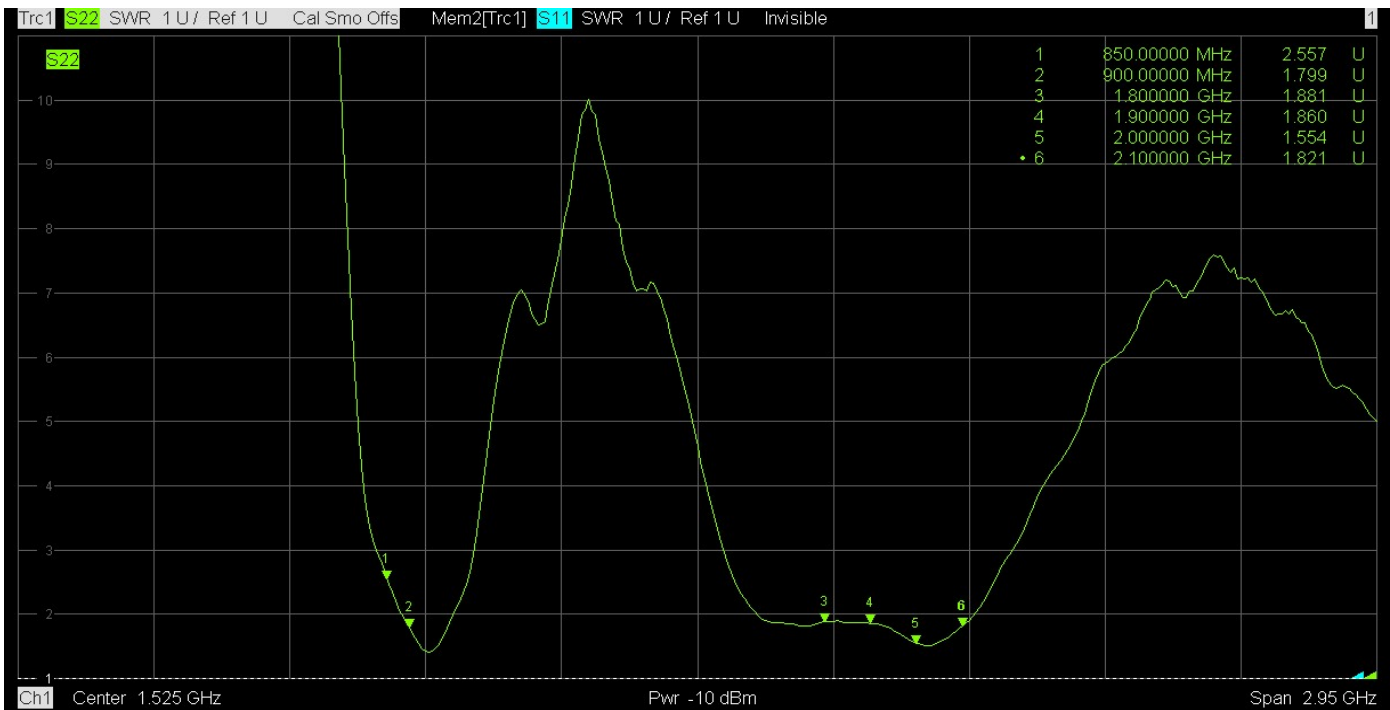
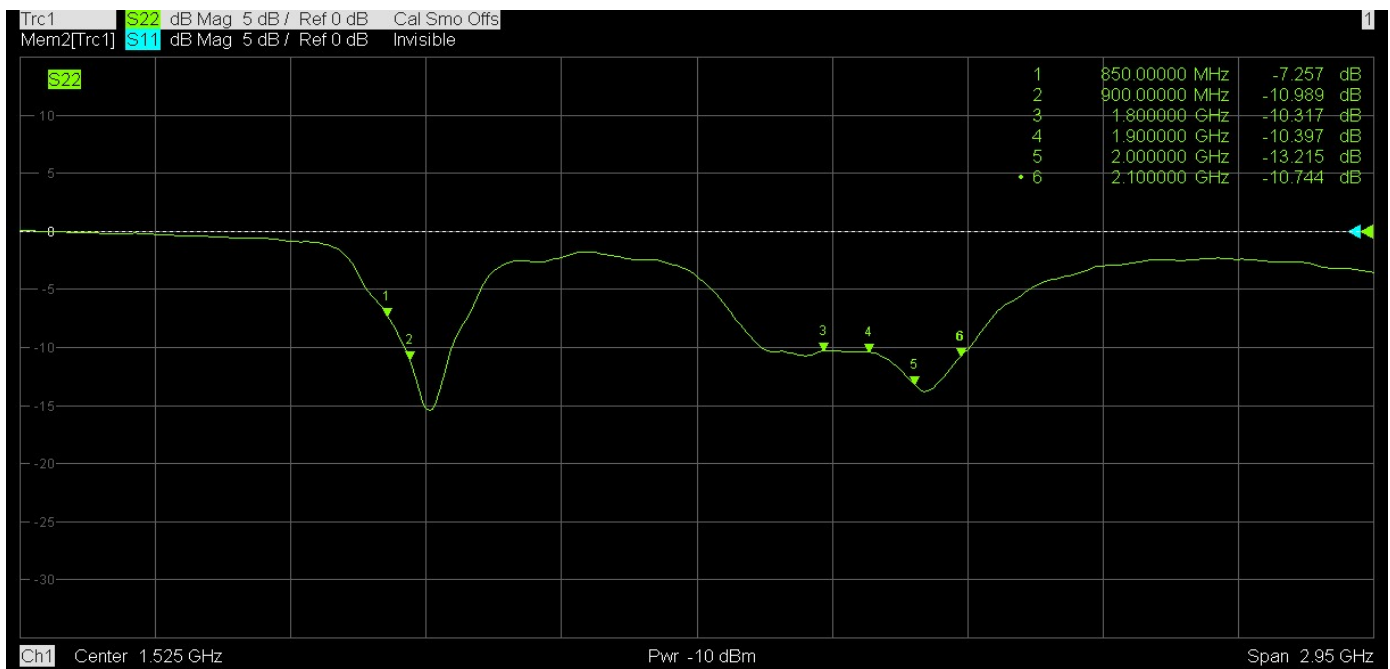
Specification	
Model No.	GSM-08
Frequency	850/900/1800/1900/2100 MHz
Gain ( dBi )	2 dBi
Type	Dipole
Polarization	Linear Vertical
SWR	$\leq 2.6 : 1$
Antenna Connector	SMA PLUG RP (Option)
Max Power	50 W
Weight	30g
Size	L200×W13.7×H13.7mm

GSM-08-SMR

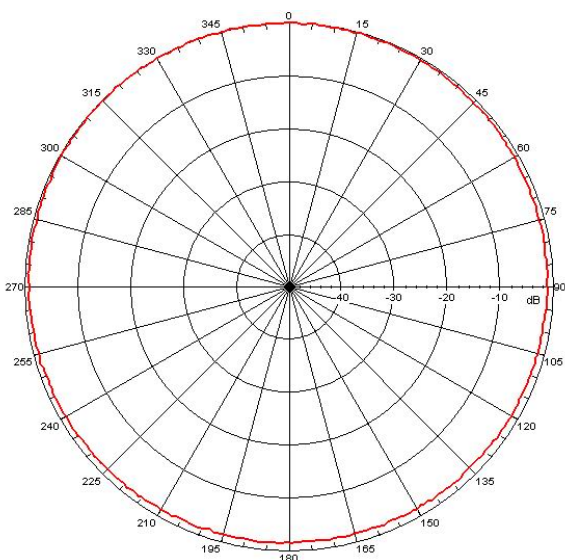
GSM 850/900/1800/1900/2100 MHz DIPOLE 2DBI FOR SMA PLUG RP



1	FREQUENCY : 850/900/1800/1900/2100 MHz	6	IMPEDANCE : 50 Ω
2	GAIN : 2dBi	7	
3	V.S.W.R : <=2.6:1	8	
4	LENGTH : L200xW13.7xH13.7 mm	9	
5	CONNECTOR : SMA PLUG RP	10	



H-PLANE



E-PLANE

