

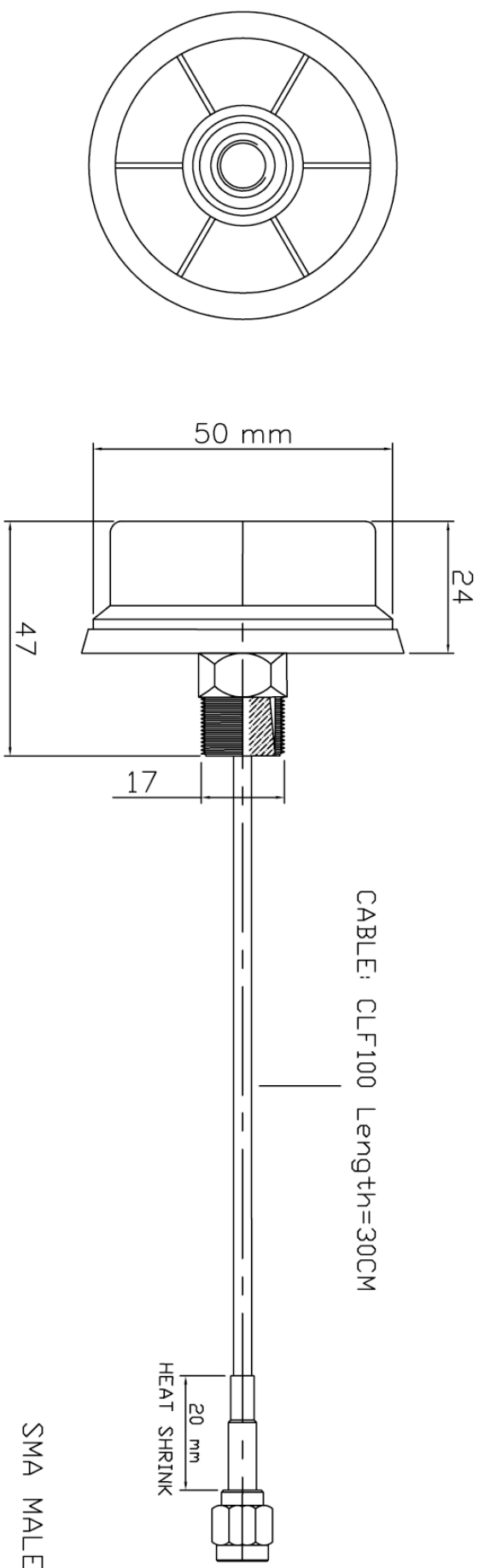


Specifications/Special Features :
This antenna is designed for wifi wireless communications

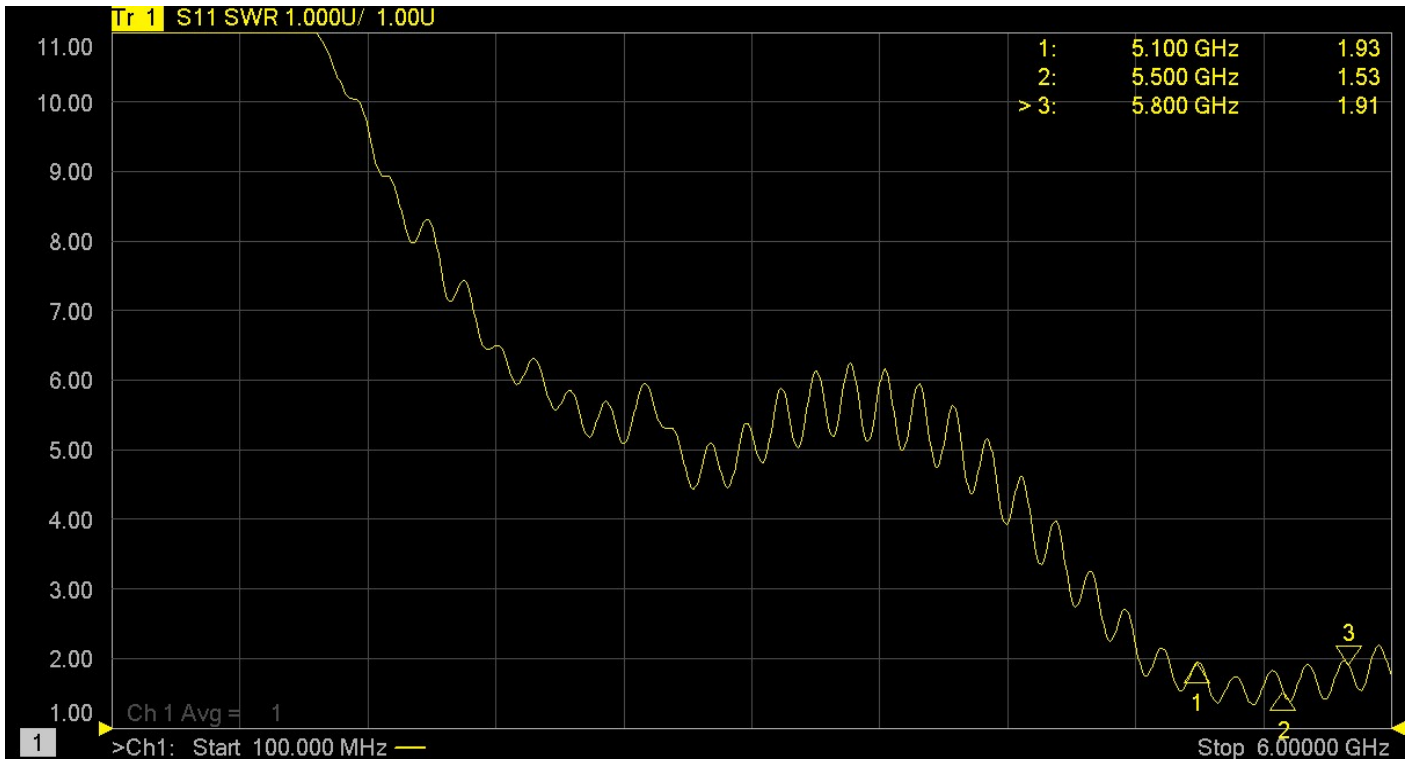
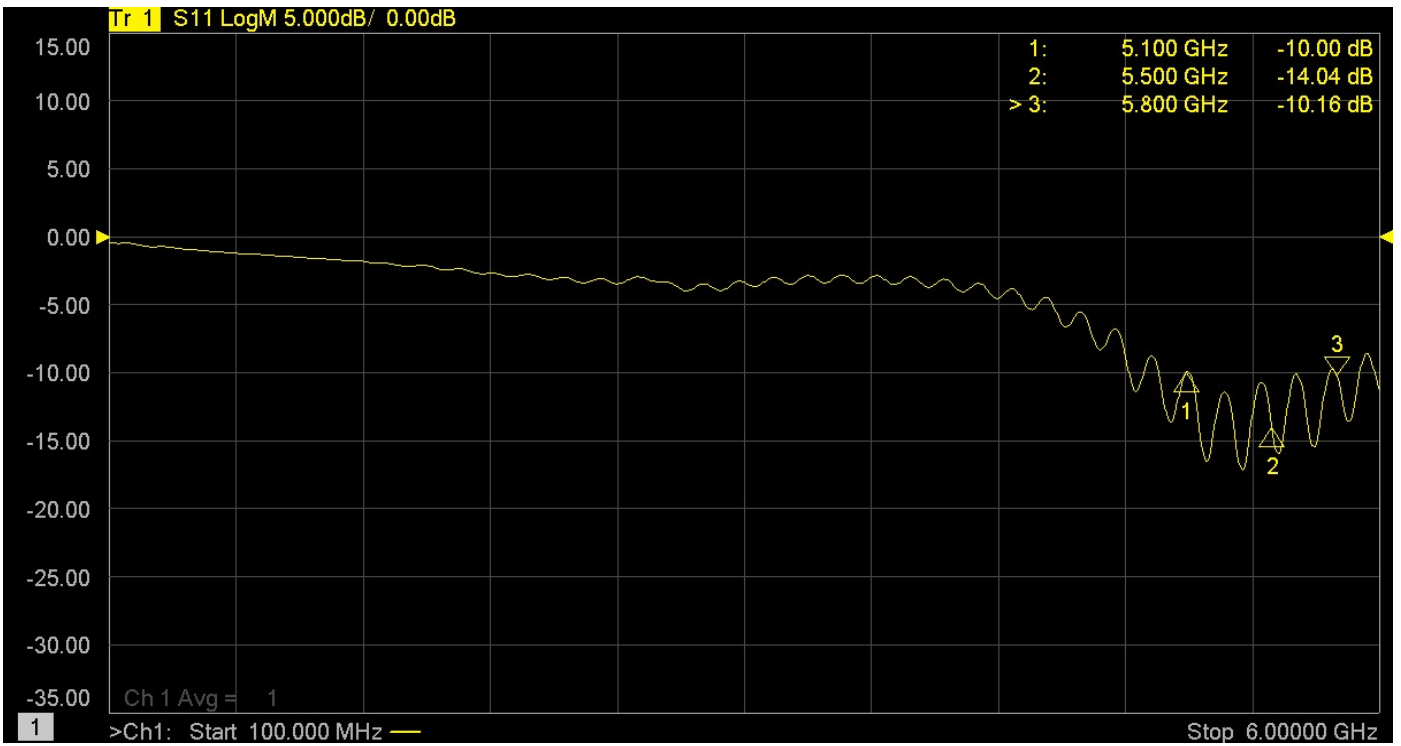
Specification	
Model No.	CA-5158-01
Operating Frequency	5100-5800 MHz
Antenna Type	Roof Screw Mount
Antenna Gain	5 dBi
Antenna Color	Black
VSWR	≤ 2.0
Polarization	Linear Vertical
Temperature	-40 to +85 °C
Humidity	40% to 95% RH
Connector Options	SMA MALE (Option)
Antenna Cable	CLF100 Length=30CM (Option)
Weight	65g
Dimension	L47xW50xH50mm

CA-5158-01

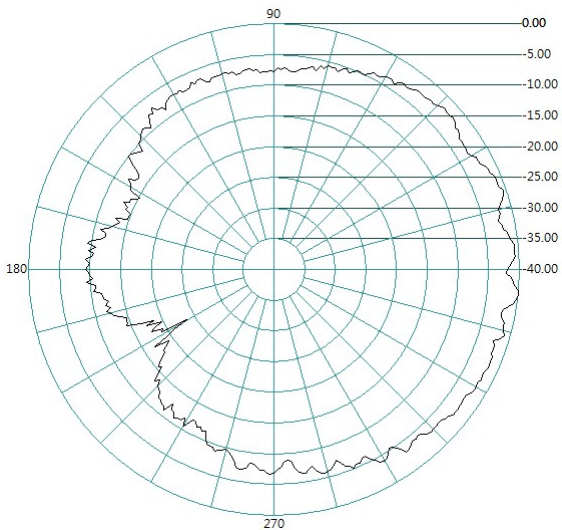
5.1-5.8GHz 5dBi 50mm CIRCLE ROOF SCREW+CLF100(30CM)+SMA MALE



1	FREQUENCY : 5100-5800MHZ	6	IMPEDANCE : 50 Ω
2	GAIN : 5dBi	7	
3	V.S.W.R : <=2.0	8	
4	CABLE LENGTH : CLF100 L=30CM (Option)	9	
5	CONNECTOR : SMA MALE (Option)	10	



H-PLANE



E-PLANE

