



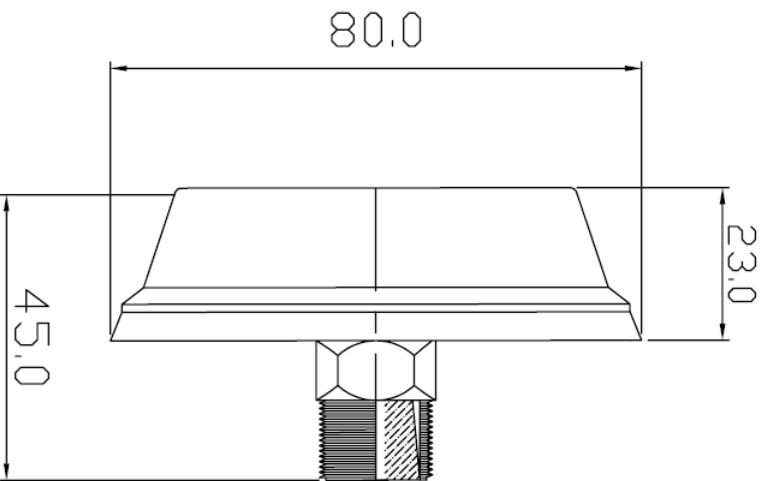
Specifications/Special Features :

This antenna is designed for wifi wireless communications

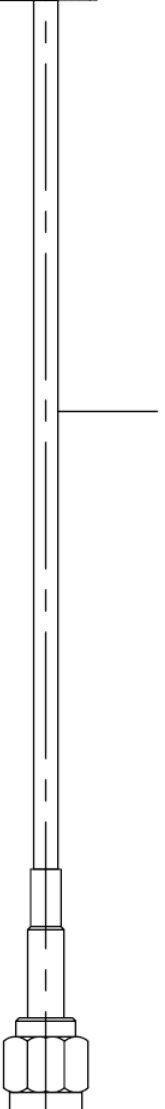
Specification	
Model No.	CA-24-04
Operating Frequency	2400-2500 MHz
Antenna Type	Ceiling
Gain	5 dBi
VSWR	< 1.8
Polarization	Linear Vertical
Temperature	-40 to +85 °C
Humidity	40% to 95% RH
Connector Options	MMCX, MCX, SMA, BNC, SMB ...
Cable	LOW LOSS CLF100 Length=30CM (Option)
Antenna Color	black or white
Dimension	L45xW80xH45mm

CA-24-04

2400-2500 MHz Ceiling 5dBi ANTENNA



CABLE:CLF100 Length=30CM (Option)



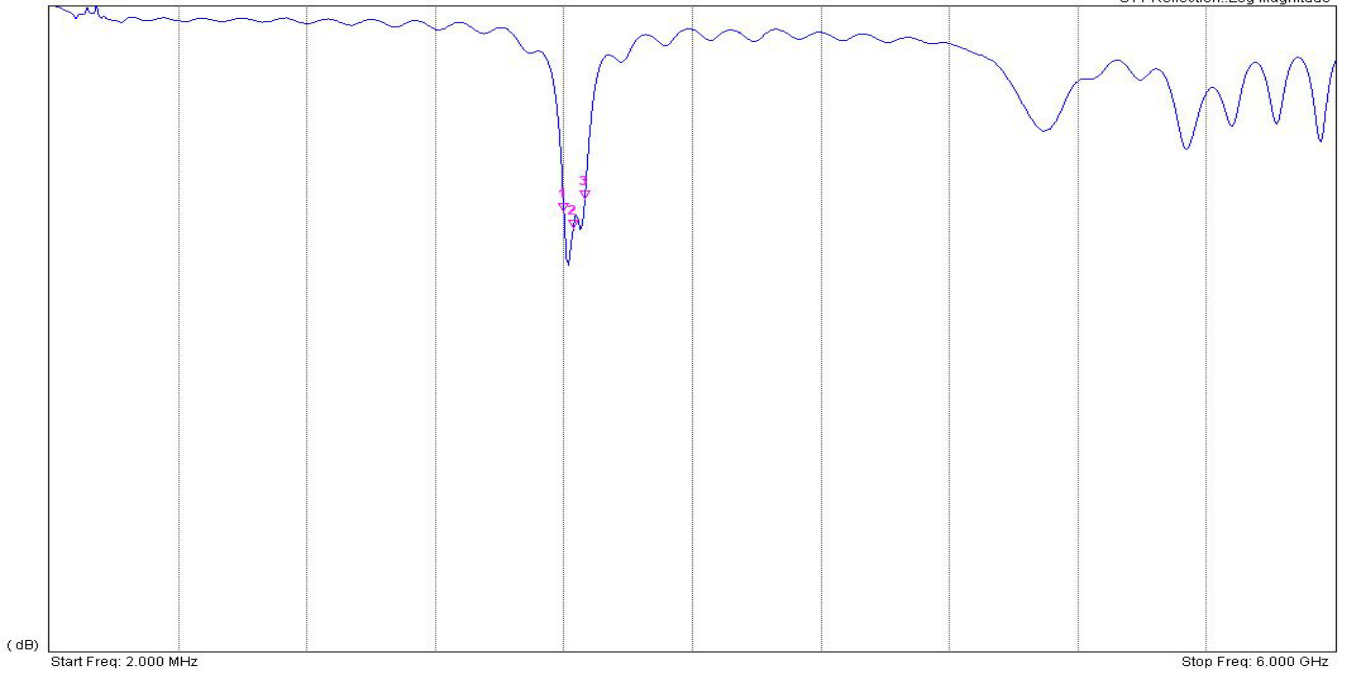
SMA PLUG (Option)

1	FREQUENCY : 2400-2500MHz	6	IMPEDANCE : 50 Ω
2	GAIN : 5dBi	7	
3	V.S.W.R : <1.8	8	
4	CABLE LENGTH : 30CM (Option)	9	
5	CONNECTOR : SMA & TNC ... (Option)	10	

VNA Measurement Data
 Captured (2009/7/29 下午 03:19:32)

VNA

S11 Reflection:Log Magnitude



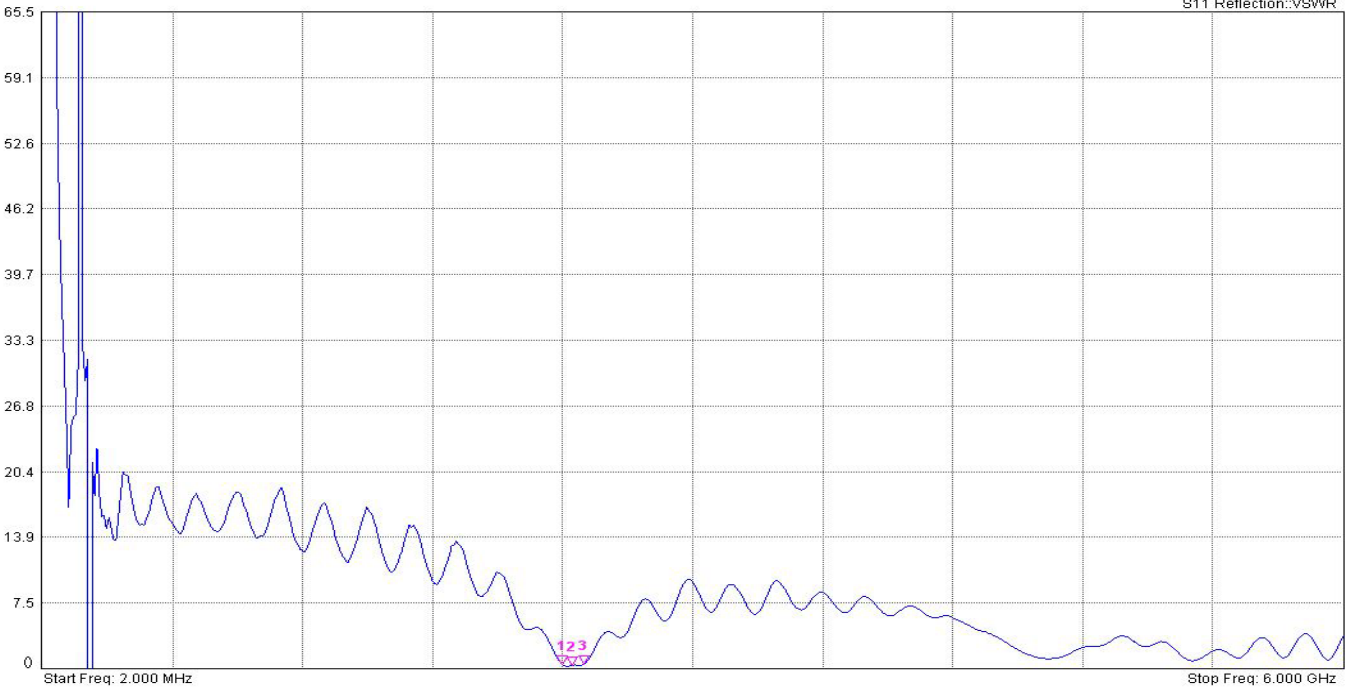
Mkr	Ref	Delta	Ref Freq	Ref Amp	Delta Freq	Delta Amp
1	<input type="checkbox"/>	<input type="checkbox"/>	2.4012 GHz	15.93 dB	--	--
2	<input type="checkbox"/>	<input type="checkbox"/>	2.4448 GHz	17.19 dB	--	--
3	<input type="checkbox"/>	<input type="checkbox"/>	2.4993 GHz	14.93 dB	--	--
4	<input type="checkbox"/>	<input type="checkbox"/>	--	--	--	--
5	<input type="checkbox"/>	<input type="checkbox"/>	--	--	--	--
6	<input type="checkbox"/>	<input type="checkbox"/>	--	--	--	--

Measurement Parameters			
Calibration Status		On	Serial Number 651009
Data Points		551	Base Ver. V1.48
Output Power		High	App Ver. V1.48
Start Frequency		2.000 MHz	Date 2009/7/29 下午 03:19:32
Stop Frequency		6.000 GHz	Device Name

VNA Measurement Data
 Captured (2009/7/29 下午 03:19:32)

VNA

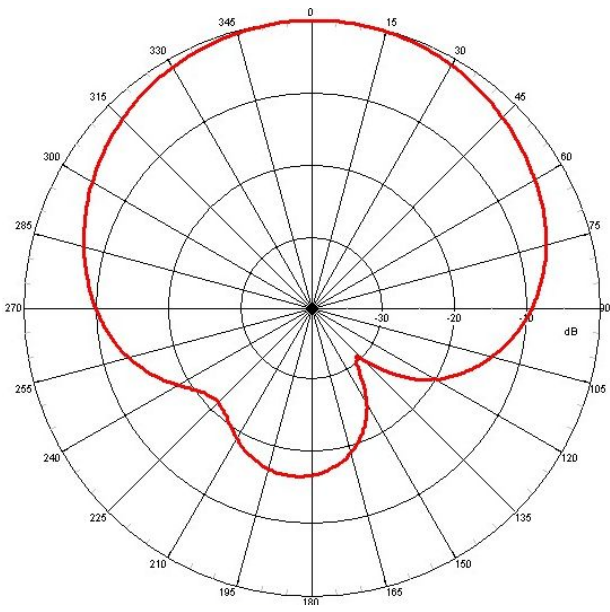
S11 Reflection:VSWR



Mkr	Ref	Delta	Ref Freq	Ref Amp	Delta Freq	Delta Amp
1	<input type="checkbox"/>	<input type="checkbox"/>	2.4012 GHz	1.38	--	--
2	<input type="checkbox"/>	<input type="checkbox"/>	2.4448 GHz	1.32	--	--
3	<input type="checkbox"/>	<input type="checkbox"/>	2.4993 GHz	1.44	--	--
4	<input type="checkbox"/>	<input type="checkbox"/>	--	--	--	--
5	<input type="checkbox"/>	<input type="checkbox"/>	--	--	--	--
6	<input type="checkbox"/>	<input type="checkbox"/>	--	--	--	--

Measurement Parameters			
Calibration Status		On	Serial Number 651009
Data Points		551	Base Ver. V1.48
Output Power		High	App Ver. V1.48
Start Frequency		2.000 MHz	Date 2009/7/29 下午 03:19:32
Stop Frequency		6.000 GHz	Device Name

H-PLANE



E-PLANE

